

## THERMAL TRANSMITTANCE CALCULATION

Calculation num.: 173.1/12

PRODUCT STANDARD: EN 14351-1 + A1

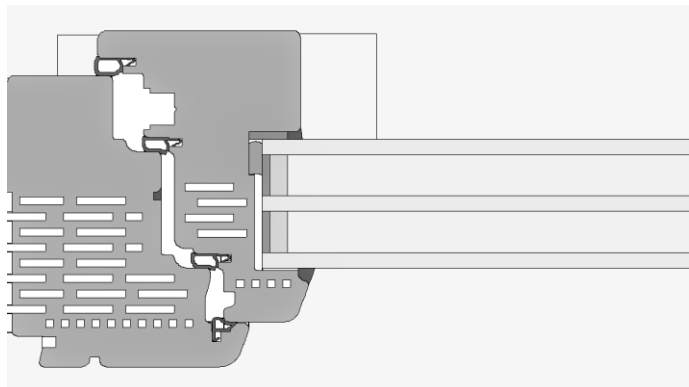
CALCULATION STANDARD: EN 1077-2:2012

SOFTWARE: WinIso 2D

**VALIDITY:** The data and results refer solely to the described specimen or to the specimen of bigger dimension but with the same frame and glazing details.

**WINDOW TYPE** Nature E112

**PRODUCT** Single tilt and turn window



Frame material	Wood - spruce/fir
Thermal transmittance of frame	$U_f = 0,71 \text{ W/m}^2\text{K}$ , $b=117\text{mm}$ $U_{f,bot} = 0,76 \text{ W/m}^2\text{K}$ , $b=123\text{mm}$
Thermal transmittance of glazing	$U_g = 0,6 \text{ W/m}^2\text{K}$ 6/16Ar/6/16Ar/6
Linear thermal transmittance of frame/glazing junction	$\Psi = 0,045 \text{ W/mK}$
Window dimension (w x h)	1230 mm x 1480 mm



$U_w = 0,75 \text{ W/m}^2\text{K}$